



Paradox DGP NE96 Alarm Panel

- ✓ **Panel Dialler wiring**
- ✓ **Panel Dialler programming**

Background:

The PM45 & PM1048-3G (v3) communicator now has a terminal block for the connection of the female 611 fly lead (supplied). If the Alarm Panel also has a terminal block for PSTN connection, we recommend you use your own cable between the Alarm Panel dialler and PM45 & PM1048-3G (v3).

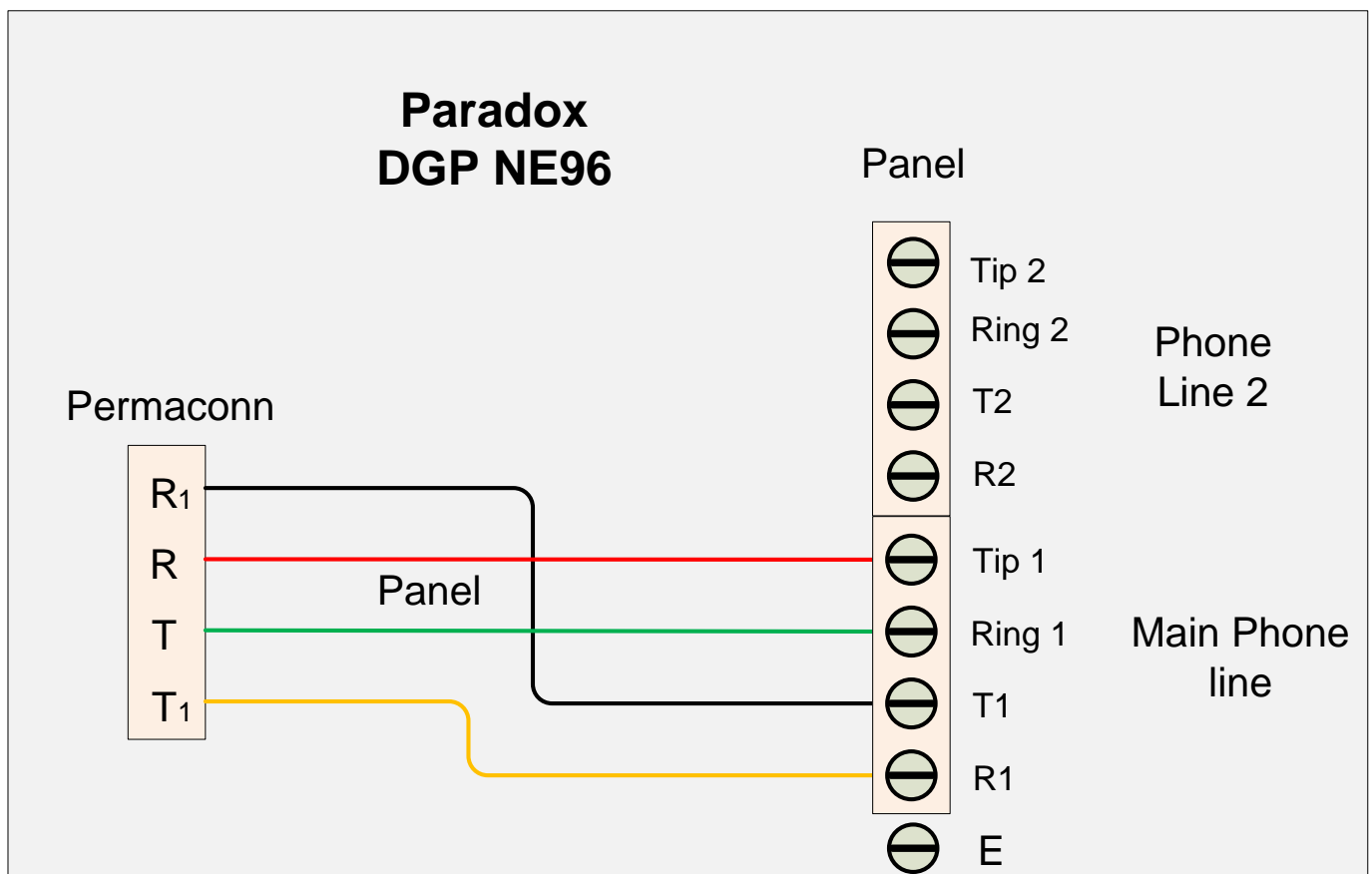
This type of installation negates the use of the female 611 fly lead, decreasing your installation time.

For four (4), six (6) and eight (8) pin RJ connectors, please refer to manufactures wiring diagram.

There are four minimum requirements from the Alarm panel for successful communication:

- 1) Must have an eight (8) digit primary phone. E.g. 12345678 or 55555555.
- 2) A four (4) digit account number.
- 3) Must be Contact ID format.
- 4) Must be set for tone (DTMF) dialling.
- 5) Optional is open / close reporting, must be enabled for Pocket Secure App.

Dialler Lead wiring between Permaconn and Paradox DGP NE96 Alarm Panel:



Paradox DGP NE96 Alarm Panel programming.

Section 3036:

Dialler Enable/Disable: Option 3 Must be ON.

Tone/DTMF: Option 4 Must be ON.

Section 3070:

Reporting Format: Enter 5555.

Section 3061 – 3068: Part 1 – 4: Account Number

Section	Partition	NB: When entering the account number a '0' is entered as an 'A'. E.g. 0123 is A123 0 = A
3061	Account 1 (4 digits)	
3062	Account 2	
3063	Account 3	
3064	Account 4	
3065	Account 5	
3066	Account 6	
3067	Account 7	
3068	Account 8	

Section 3071:

CS Phone 1: Any 8 digits e.g. 12345678

Disarming Report Code

Keyswitch reporting: Must be enabled for Pocket Secure App: Must be set to 1 / 1 (default is F / F)

Keyswitch Arming Report Code

Section	Keyswitch #	Section	Keyswitch #	Section	Keyswitch #	Section	Keyswitch #
701	1	709	9	717	17	725	25
702	2	710	10	718	18	726	26
703	3	711	11	719	19	727	27
704	4	712	12	720	20	728	28
705	5	713	13	721	21	729	29
706	6	714	14	722	22	730	30
707	7	715	15	723	23	731	31
708	8	716	16	724	24	732	32

Keyswitch Disarming Report Code

Section	Keyswitch #	Section	Keyswitch #	Section	Keyswitch #	Section	Keyswitch #
801	1	809	9	817	17	825	25
802	2	810	10	818	18	826	26
803	3	811	11	819	19	827	27
804	4	812	12	820	20	828	28
805	5	813	13	821	21	829	29
806	6	814	14	822	22	830	30
807	7	815	15	823	23	831	31
808	8	816	16	824	24	832	32

Disarm Reporting Options: Default is disabled.

Section	Partition	Section	Partition
3123	1	3523	5
3223	2	3623	6
3323	3	3723	7
3423	4	3823	8

Option 7:

Disabled: the panel sends the disarming report immediately.

Enabled: Sends disarming report after an alarm