

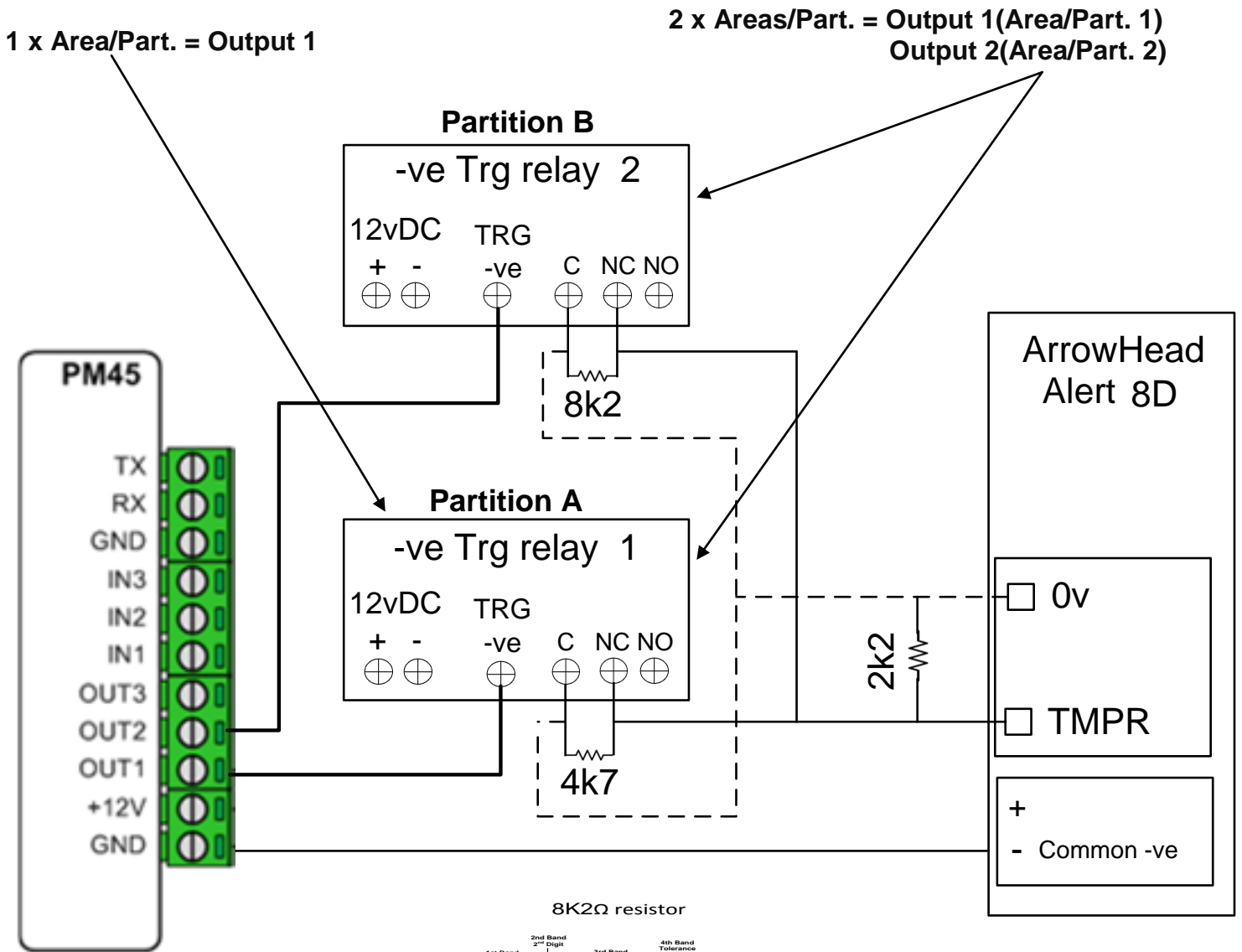
ArrowHead Alert 8D Alarm Panel



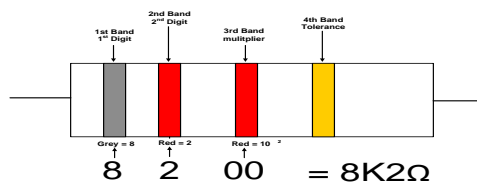
PERMACONN™
leaders in wireless security technology

- ✓ **Keyswitch wiring**
- ✓ **Keyswitch programming**

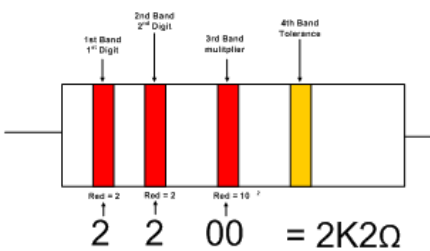
E.g. Keyswitch wiring (Using 2 Areas) between Permaconn and ArrowHead Alert 8D Alarm Panel:



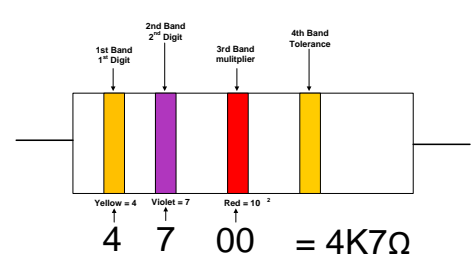
8K2Ω resistor



2K2Ω resistor



4K7Ω resistor



Arm/Disarm by Keyswitch Report to Monitoring Station:-

NB:- By default the Arming report is sent at the end of exit time.

CID409 / 001 Area "A" Keyswitch Arm/Disarm

CID409 / 002 Area "B" Keyswitch Arm/Disarm

The Tamper input can also provide two key-switches.

The Low key-switch (4k7 resistor) operates Partition A

High key-switch (8k2 resistor) operates partition B.

In this configuration the 2k2 resistors must still be installed to seal the system Tamper.

PARTITION "A" OPTIONS - P110E.

This address allows modification of how Partition "A" arming, monitor and control keys work at the keypad.

P110E

1E:- "ARM" button required before code to set- Default off.

2E:- "MONITOR" button required before code to turn on Monitor Mode- Default off.

3E:- "CODE" required to arm- Default off.

4E:- "ARM" button can disarm system during exit delay- Default on.

5E:- "MONITOR" button can disarm Monitor Mode at any time- Default on.

6E:- No Exit Beeps to keypads in Monitor Mode- Default off.

7E:- Key-switch Enabled- Default off.

8E:- Key-switch Mode- Default off.

Option 7: Enable Partition "A" Key-switch: –

If this option is turned on then the system tamper input (Tmp) becomes a Dual End of Line Input (Refer to Type 4 drawing on Page 5 for wiring details of the install manual).

The low input 4K7 is reserved for Partition "A" key-switch operation. An open circuit will still be seen as a system tamper.

Option 8: Key-switch Mode: -

If this option is On then the key-switch has a toggle function (ie the arm/disarm state will follow the key-switch state).

If Off then the key-switch is momentary (ie each single pulse will change the arm/disarm state). The panel tamper input is used to provide the key-switch function.

PARTITION "B" OPTIONS - P120E

This address allows modification of how Partition "B" arming, monitor and control keys work at the keypad.

P120E

- 1E:- "ARM" button required before code to set- Default off.
- 2E:- "MONITOR" button required before code to turn on Monitor Mode- Default off.
- 3E:- "CODE" required to arm- Default off.
- 4E:- "ARM" button can disarm system during exit delay- Default on.
- 5E:- "MONITOR" button can disarm Monitor Mode at any time- Default on.
- 6E:- No Exit Beeps to keypads in Monitor Mode- Default off.
- 7E:- Key-switch Enabled- Default off.
- 8E:- Key-switch Mode- Default of.

Option 7: Enable Partition "B" Key-switch: -

If this option is turned on then the system tamper input (Tmp) becomes a Dual End of Line Input (Refer to Type 4 drawing on Page 5 for wiring details). The high input 8K2 is reserved for Partition "B" key-switch operation. An open circuit will still be seen as a system tamper.

Option 8: Key-switch Mode: -

If this option is On then the key-switch has a toggle function (ie the arm/disarm state will follow the key-switch state).

If Off then the key-switch is momentary (ie each single pulse will change the arm/disarm state). The panel tamper input is used to provide the key-switch function.

P170E:-

- 1E:- Panel Tamper NC or EOL - Default off.

Option 1 Panel Tamper NC or EOL - The Tamper input on the Alert control board (Tmp) requires sealing to clear the panel tamper alarm. If option 1 is on the panel must see a 2k2 resistor (EOL) across the Tmp & 0V terminals to ensure the tamper is sealed. If this option is turned off the a simple short circuit (NC) is all that is required to seal the panel tamper.

P188E:- (P188E) is used to enable or disable various alarm reports to the Dialler.

- 1E:- Report Arm/Disarm - Default on
- 3E:- Report Disarm only after an Activation - Default off
- 6E:- Send Arm immediately - Default off
- 8E:- Spare - Default off

Option 1 Report Arm/Disarm - If this option is on then all Arm/Disarm signals will be reported to a central Monitoring Station it must be Contact ID format (Pocket Secure App requires this function).