


Avolution 'S' series Alarm Panel



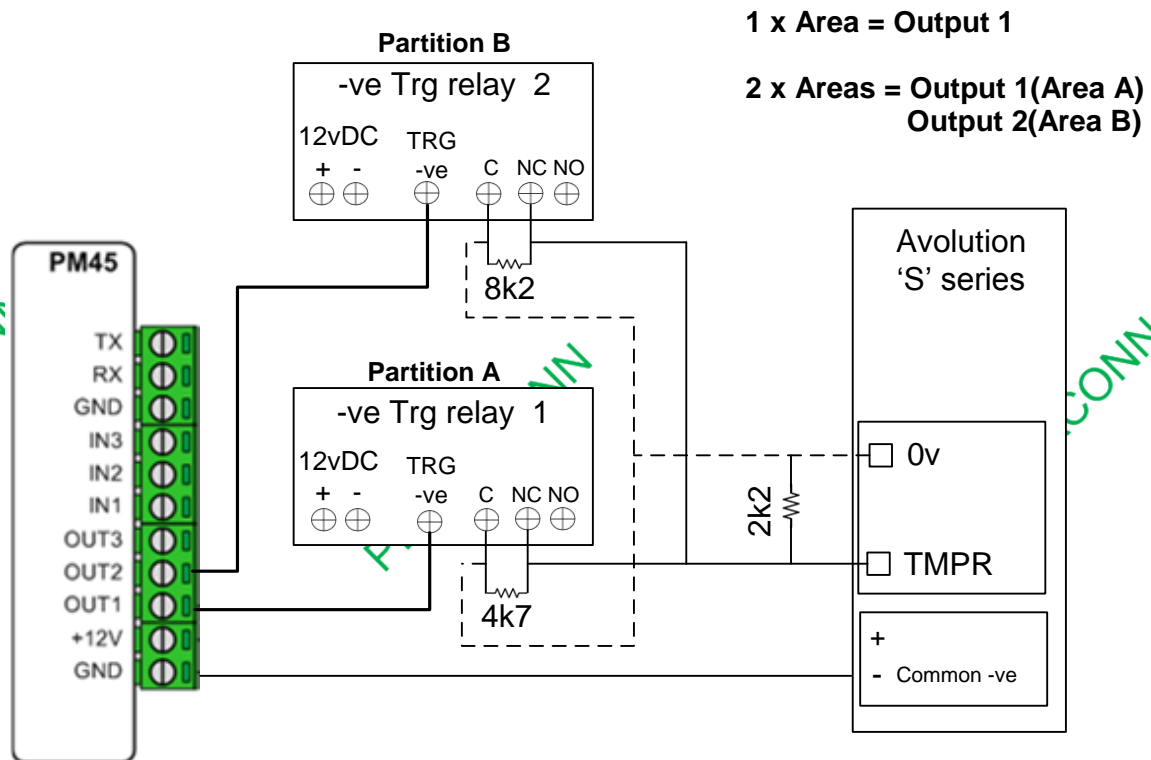
PERMACONN™
leaders in wireless security technology

- ✓ **Keyswitch wiring**
- ✓ **Keyswitch programming**

Background: There are three (3) Outputs available.

- Outputs are 'Open Collector' @50mA switching negative - for heavier loads a relay must be used.
 - Outputs can be used for e.g. Keyswitch, opening gates or doors etc.
 - Ensure there is a common negative between Permaconn and the device being switched.
 - The outputs can be Opened, Closed or Pulsed remotely using the Permaconn Atlas web portal.
 - The Pocket Secure App can only 'Pulse' the Outputs. A Pulse is approx 1sec.
-  Compatible with 'Pocket Secure' remote arming App, available on iTunes, Google Play and the Windows Phone Store.
- These outputs when wired to a Keyswitch zone on the Alarm Panel can arm & disarm up to a maximum of three (3) areas when using 'Pocket Secure' app.
 - Each area should be independently controlled using a separate Keyswitch zone.
 - Arm/Disarm reporting **MUST be Enabled**. Pocket Secure App requires this for its status notifications.
 - Test each Output by placing the +ve leg of a multi meter on the +ve terminal that supplies power to the Permaconn, then place the -ve leg of a multi meter on the Output terminal you wish to test. Pulse the selected Output the result should go from 0v DC to 12v DC for approx 1sec and back to 0vDC.

E.g. Keyswitch wiring (Using 2 Areas) between Permaconn and Avolution S series Alarm Panel:



Arm/Disarm by Keyswitch Report to Monitoring Station:- **NB:- By default the Arming report is sent at the end of exit time.**

- CID409 / 000 Area "A" Keyswitch Arm/Disarm
- CID409 / 001 Area "B" Keyswitch Arm/Disarm
- Stay Mode Arm/Disarm by Key-switch
- CID442 / 000 Stay Mode Arm by Key-switch # 1
- CID442 / 001 Stay Mode Arm by Key-switch # 2

Evolution S series Alarm Panels

The Tamper input can also provide two key-switches. The Low key-switch (4k7 resistor) operates Partition A while the High key-switch (8k2 resistor) operates partition B. In this configuration the 2k2 resistors must still be installed to seal the system Tamper.

MISCELLANEOUS PANEL OPTIONS - P25E 10E

Option 1 - Panel Tamper is 2k2 EOL:- **Must be ON**

P25E 11E Installer Options (Default = All Off)

Option 5 = Cannot Arm if there is a keypad Fault

Option 6 = Cannot Arm if there is a Telephone Line Failure or Comms Fault

P45E 1-2E Area A&B Options A (1=Area "A") (2=Area "B") (Default = All Off)

6 = Send Arm at the end of the Exit Delay

7 = Can Arm only if All Zones are Sealed (Ready)

8 = Can Arm Stay Mode only if All Zones are Sealed (Ready)

P46E 1-2E Area A&B Options B (1=Area "A") (2=Area "B") (Default = All Off)

7 = Cannot Arm if Zone Unsealed at end of Exit Delay

KEY-SWITCH AREA ASSIGNMENT - P111E 1-2E (1 = Key-switch # 1, 2 = Key-switch # 2)

Option 1 - Area "A" This option assigns the key-switch to Area A. If a key-switch is assigned to only Area A it can only Arm or Disarm that area.

Option 2 Area "B" - This option assigns the key-switch to Area B. If a key-switch is assigned to only Area B it can only Arm or Disarm that area.

KEY-SWITCH ACCESS & OPERATIONAL OPTIONS - P112E 1-2E (1 = Key-switch # 1, 2 = Key-switch # 2)

Option 1 - Key-Switch can Arm:- **Must be ON**

Option 2 - Key-Switch can Arm Stay Mode

Option 3 - Key-Switch can Disarm:- **Must be ON**

Option 4 - Key-Switch can Disarm Stay Mode

Option 5 - Key-Switch has Security Guard Options

Option 6 - Key-Switch will Arm Latchkey Mode

Option 7 - Key-Switch is NO (Normally Open) :- **Must be OFF**

Option 8 - Key-Switch is Momentary:- **Must be ON**

DIALLER REPORTING OPTIONS "C" - P188E 1-8E (Must be enabled for Pocket Secure App)

Option 1 - Report Arm/Disarm

Option 2 - Report Stay Mode Arm/Disarm

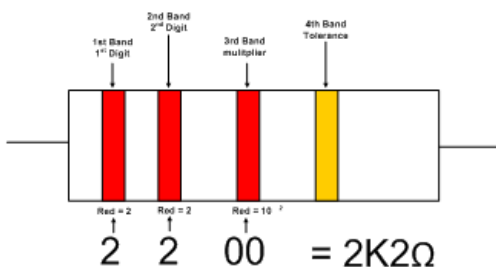
Option 3 - Report Disarm only after an Alarm

Option 4 - Report Stay Mode Disarm only after an Alarm

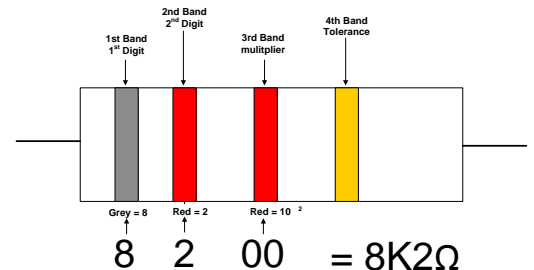
Option 5 - Report Stay Mode Zone Alarms

NB:- The panel may send a 'Delinquency Alarm' CID event E454 U000 mean (System not Armed within # days)

2K2Ω resistor



8K2Ω resistor



4K7Ω resistor

