

Bosch 6000 Alarm Panel

- ✓ **Keyswitch wiring**
- ✓ **Keyswitch programming**



PERMACONN™
leaders in wireless security technology

Background: There are three (3) Outputs available.

- Outputs are 'Open Collector' @50mA switching negative - for heavier loads a relay must be used.
- Outputs can be used for e.g. Keyswitch, opening gates or doors etc.
- Ensure there is a common negative between Permaconn and the device being switched.
- The outputs can be Opened, Closed or Pulsed remotely using the Permaconn Atlas web portal.
- The Pocket Secure App can only 'Pulse' the Outputs. A Pulse is approx 1sec.



Compatible with 'Pocket Secure' remote arming App, available on iTunes, Google Play and the Windows Phone Store.

- These outputs when wired to a Keyswitch zone on the Alarm Panel can arm & disarm up to a maximum of three (3) areas when using 'Pocket Secure' app.
- Each area should be independently controlled using a separate Keyswitch zone.
- Arm/Disarm reporting **MUST be Enabled**. Pocket Secure App requires this for its status notifications.
- Test each Output by placing the +ve leg of a multi meter on the +ve terminal that supplies power to the Permaconn, then place the -ve leg of a multi meter on the Output terminal you wish to test. Pulse the selected Output the result should go from 0v DC to 12v DC for approx 1sec and back to 0vDC.

Bosch 6000 Alarm Panel

NB:- User code 000 is reported when using a keyswitch.

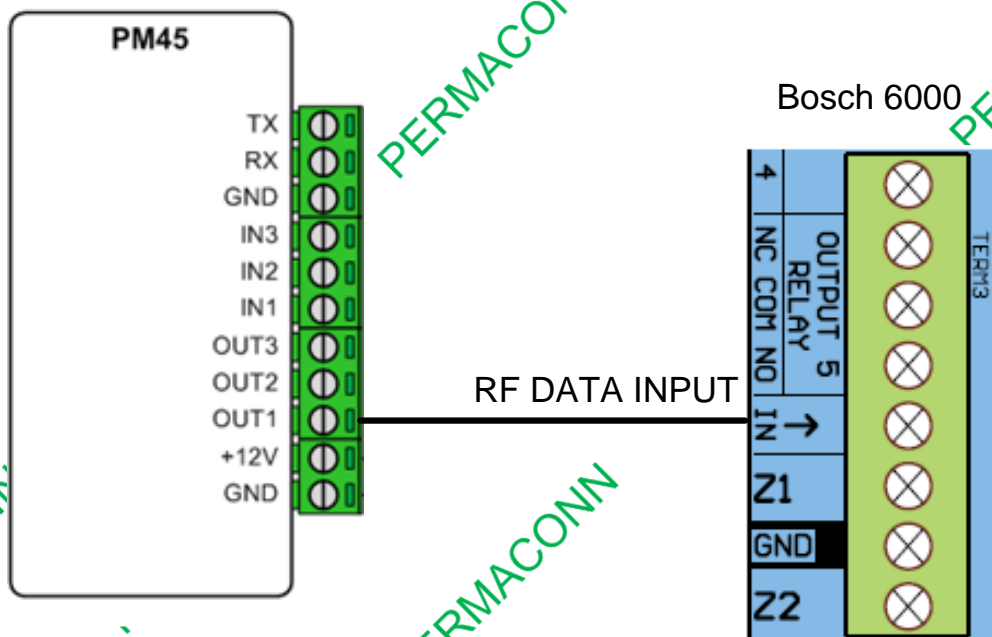
Enter Program mode: Installer code (default 1234) + menu.
(Red and Green LED's on the keypad will flash indicating program mode).

Method 1: Using RF Receiver 'Input'.

Menu 3-5-0

Select 02 (Pulse On/Off).

E.g. 1: Using the RF Input terminal:



E.g. 2:- Using a Zone: Choose any hardwired zone 1-8, Zn Dbl 9-16 can be programmed as a keyswitch.

Menu 3-1-1

Select option 13 (Key switch zone type).

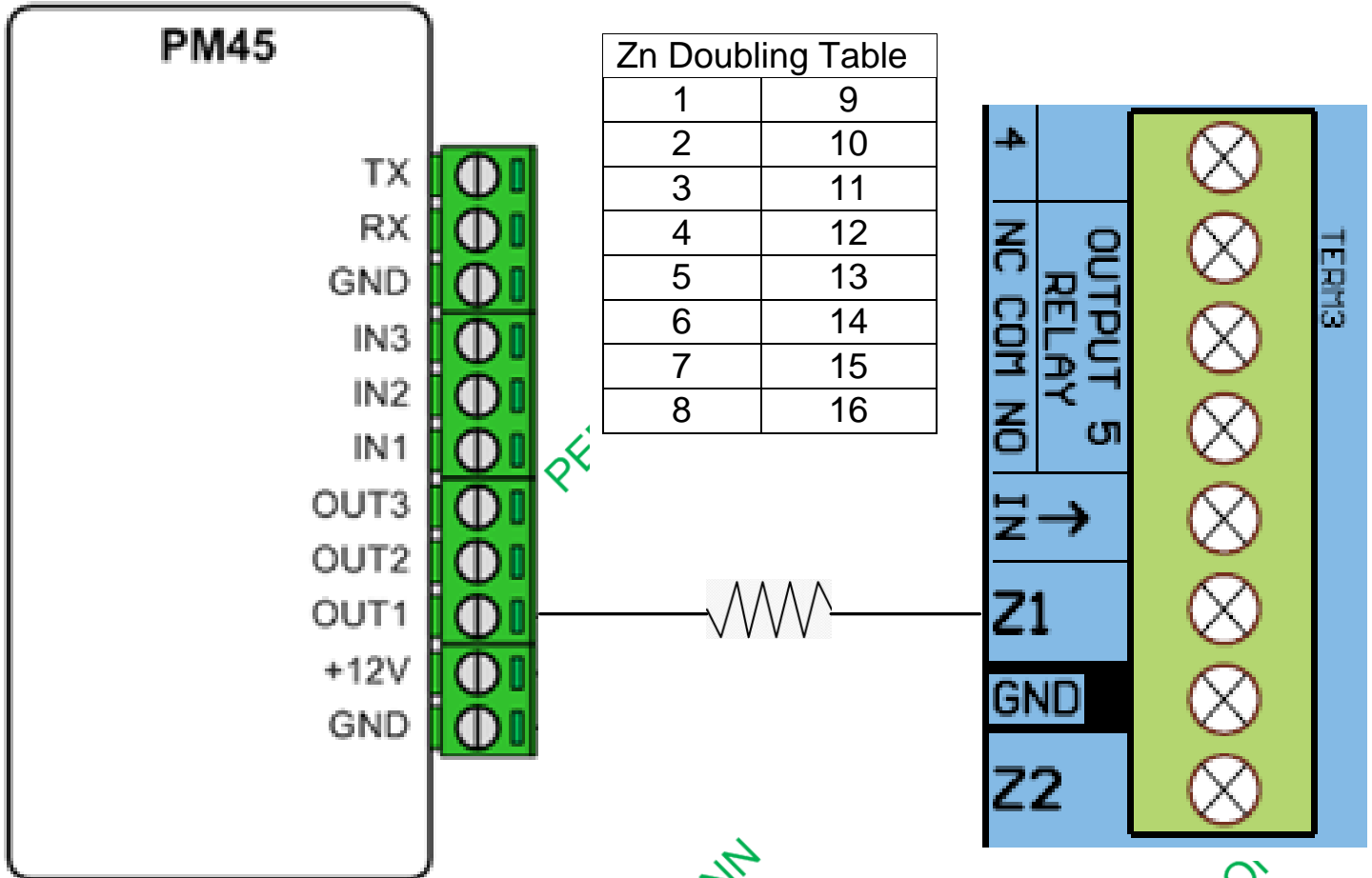
Menu 3-1-8

Select option 3 (Inverted Seal) set to 'Y'.

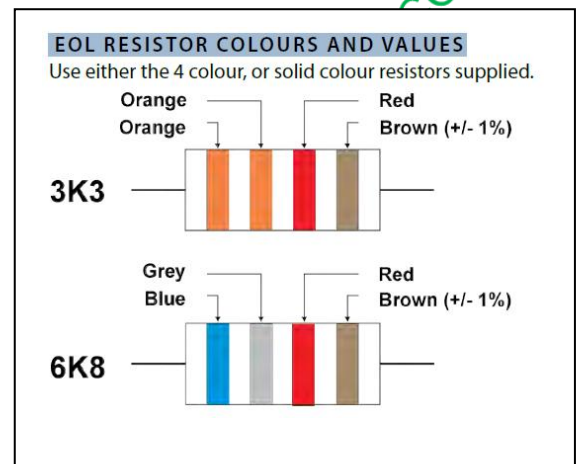
Menu 3-4-1

Select option 05 (Pulse all On/Off) .

If using zone double (zn 9-16) the zone 1-8 on the same terminal should be an Entry/Exit zone type.



- Zones 1 – 8 use 3k3 resistors
- Zones 9 – 16 use 6k8 resistors



Exiting Program Mode:

- Press and hold the Menu button for 2sec.
- Alternatively you can select Exit and press OK from any menu levels.