

DAS DL300 Alarm Panel



PERMACONN™
leaders in wireless security technology

- ✓ **Keyswitch wiring**
- ✓ **Keyswitch programming**

Background: There are three (3) Outputs available.

- Outputs are 'Open Collector' @50mA switching negative - for heavier loads a relay must be used.
- Outputs can be used for e.g. Keyswitch, opening gates or doors etc.
- Ensure there is a common negative between Permaconn and the device being switched.
- The outputs can be Opened, Closed or Pulsed remotely using the Permaconn Atlas web portal.
- The Pocket Secure App can only 'Pulse' the Outputs. A Pulse is approx 1sec.

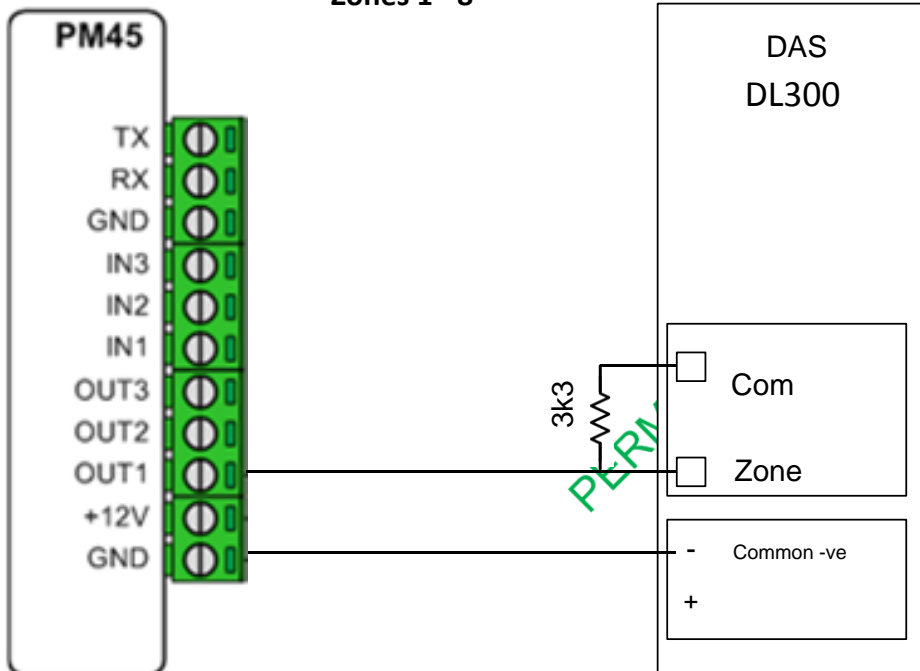


Compatible with 'Pocket Secure' remote arming App, available on iTunes, Google Play and the Windows Phone Store.

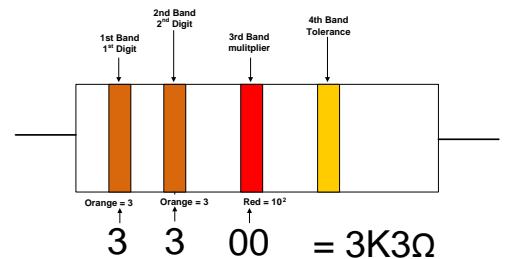
- These outputs when wired to a Keyswitch zone on the Alarm Panel can arm & disarm up to a maximum of three (3) areas when using 'Pocket Secure' app.
- Each area should be independently controlled using a separate Keyswitch zone.
- Arm/Disarm reporting **MUST be Enabled**. Pocket Secure App requires this for its status notifications.
- Test each Output by placing the +ve leg of a multi meter on the +ve terminal that supplies power to the Permaconn, then place the -ve leg of a multi meter on the Output terminal you wish to test. Pulse the selected Output the result should go from 0v DC to +12v DC for approx 1sec and back to 0vDC.

DAS DL300 Alarm Panel Programming locations on a DAS DL300

Zones 1 - 8



3K3Ω resistor



Input a value of '9' Keyswitch zone type.

Zone	Location
1	159
2	160
3	161
4	162
5	163
6	164
7	165
8	166

If the Opening / Closing communicator codes are enabled, Key Switch arming/ disarming will report.

(Required for Pocket Secure App)

Location:348:- OPENING COMMUNICATOR CODE.

Location:350:- CLOSING COMMUNICATOR CODE.