

DAS NX8 Alarm Panel



PERMACONN™
leaders in wireless security technology

- ✓ **Keyswitch wiring**
- ✓ **Keyswitch programming**

Background: There are three (3) Outputs available.

- Outputs are 'Open Collector' @50mA switching negative - for heavier loads a relay must be used.
- Outputs can be used for e.g. Keyswitch, opening gates or doors etc.
- Ensure there is a common negative between Permaconn and the device being switched.
- The outputs can be Opened, Closed or Pulsed remotely using the Permaconn Atlas web portal.
- The Pocket Secure App can only 'Pulse' the Outputs. A Pulse is approx 1sec.



Compatible with 'Pocket Secure' remote arming App, available on iTunes, Google Play and the Windows Phone Store.

- These outputs when wired to a Keyswitch zone on the Alarm Panel can arm & disarm up to a maximum of three (3) areas when using 'Pocket Secure' app.
- Each area should be independently controlled using a separate Keyswitch zone.
- Arm/Disarm reporting **MUST be Enabled**. Pocket Secure App requires this for its status notifications.
- Test each Output by placing the +ve leg of a multi meter on the +ve terminal that supplies power to the Permaconn, then place the -ve leg of a multi meter on the Output terminal you wish to test. Pulse the selected Output the result should go from 0v DC to +12v DC for approx 1sec and back to 0vDC.

DAS NX8 Alarm Panel

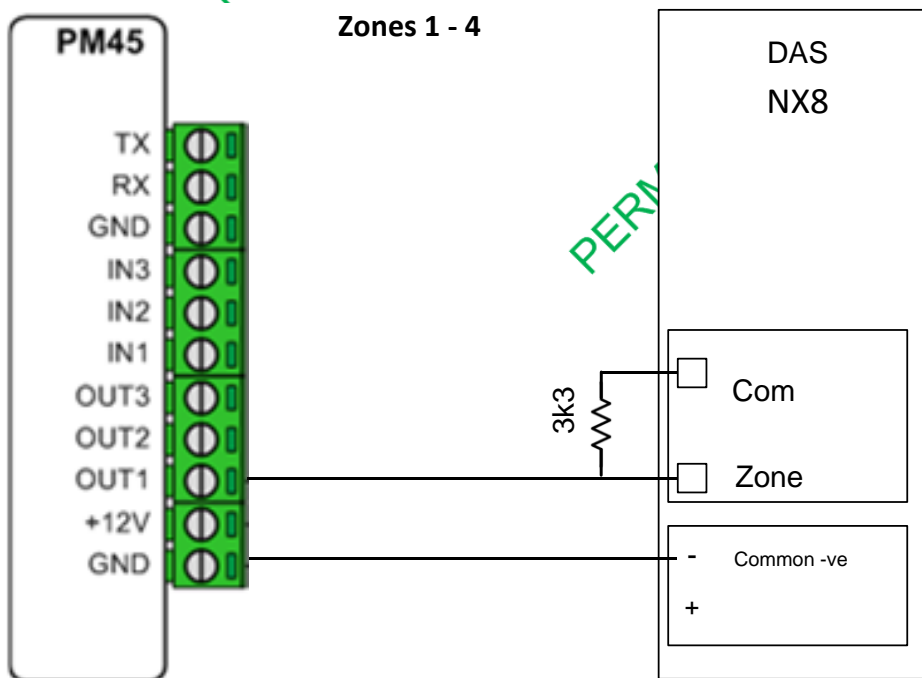
If the Opening / Closing communicator codes are enabled, Key Switch arming/ disarming will report.

(Required for Pocket Secure App)

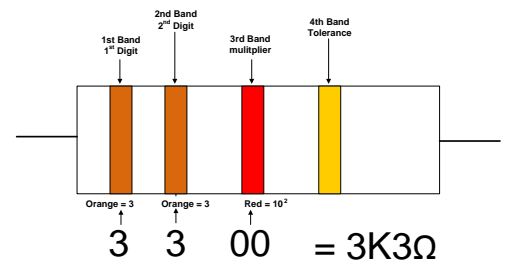
Feature 9: Segment 1: option 3: must be enabled: - OPENING / CLOSING COMMUNICATOR CODE.

Feature 16: Segment 3: option 1 must be enabled: open / closed reporting.

E.g. 1: Using zones 1 – 4 (NOT zone doubling).



3K3Ω resistor

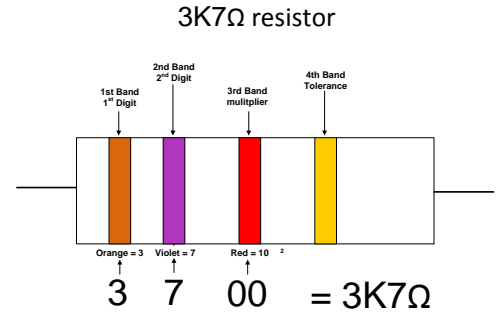
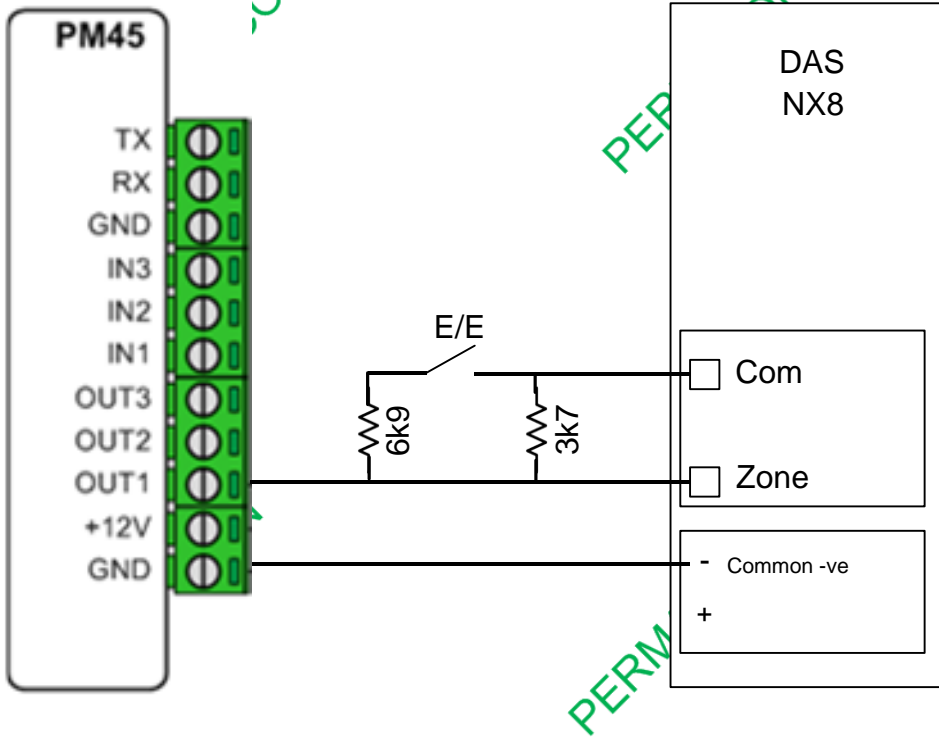


Input a value of '30' Keyswitch zone type.

Zone	Feature 18
1	Segment 1
2	Segment 2
3	Segment 3
4	Segment 4

E.g. 2: Using zones 1 – 4 (Zone doubling).

NB: Other zone on the same terminals MUST be an Entry / Exit zone type.



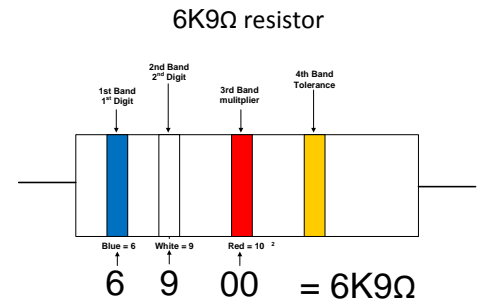
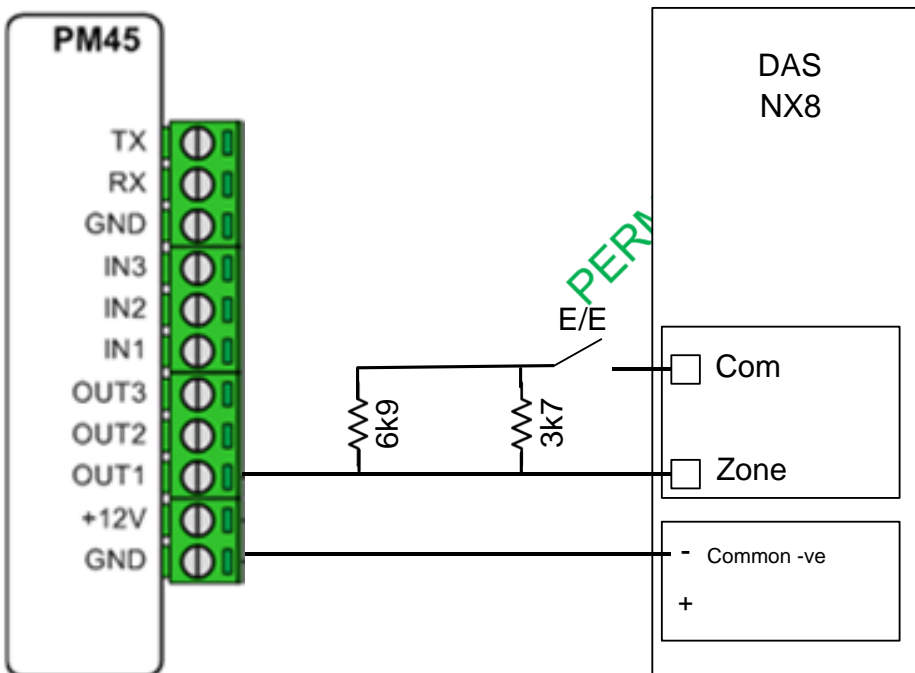
Use 3k7Ω for zones 1 -4

Input a value of '30' Keyswitch zone type.

Zone	Feature 18
1	Segment 1
2	Segment 2
3	Segment 3
4	Segment 4

E.g. 3: Using zones 5 – 8 (Zone doubling).

NB: Other zone on the same terminals MUST be an Entry / Exit zone type.



Use 6k9Ω for zones 5 - 8

Input a value of '30' Keyswitch zone type.

Zone	Feature 18
5	Segment 5
6	Segment 6
7	Segment 7
8	Segment 8