

DAS Reliance 12 Alarm Panel



PERMACONN™
leaders in wireless security technology

- ✓ **Keyswitch wiring**
- ✓ **Keyswitch programming**

Background: There are three (3) Outputs available.

- Outputs are 'Open Collector' @50mA switching negative - for heavier loads a relay must be used.
- Outputs can be used for e.g. Keyswitch, opening gates or doors etc.
- Ensure there is a common negative between Permaconn and the device being switched.
- The outputs can be Opened, Closed or Pulsed remotely using the Permaconn Atlas web portal.
- The Pocket Secure App can only 'Pulse' the Outputs. A Pulse is approx 1sec.



Compatible with 'Pocket Secure' remote arming App, available on iTunes, Google Play and the Windows Phone Store.

- These outputs when wired to a Keyswitch zone on the Alarm Panel can arm & disarm up to a maximum of three (3) areas when using 'Pocket Secure' app.
- Each area should be independently controlled using a separate Keyswitch zone.
- Arm/Disarm reporting **MUST be Enabled**. Pocket Secure App requires this for its status notifications.
- Test each Output by placing the +ve leg of a multi meter on the +ve terminal that supplies power to the Permaconn, then place the -ve leg of a multi meter on the Output terminal you wish to test. Pulse the selected Output the result should go from 0v DC to 12v DC for approx 1sec and back to 0vDC.

DAS Reliance 12 Alarm Panel

If the Opening / Closing communicator codes are enabled, Key Switch arming/ disarming will report.

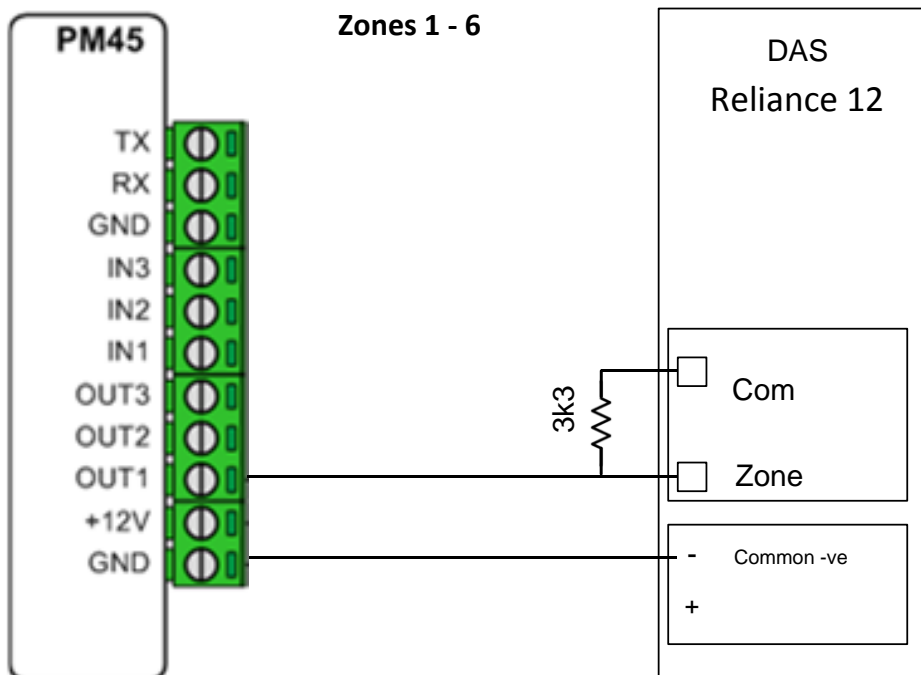
(Required for Pocket Secure App)

Feature 9: Segment 1: option 3: must be enabled: - OPENING / CLOSING COMMUNICATOR CODE.

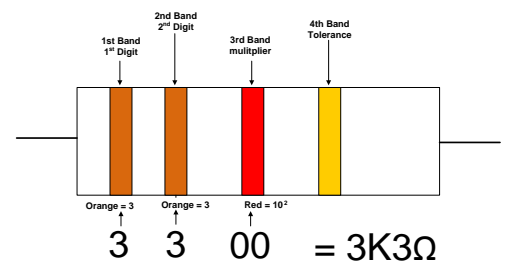
Feature 16: Segment 3: option 1 must be enabled: open / closed reporting.

Feature 68 segment 3 (Key-switch zone (normally open switch) must be enabled.

E.g. 1: Using zones 1 – 6 (NOT zone doubling).



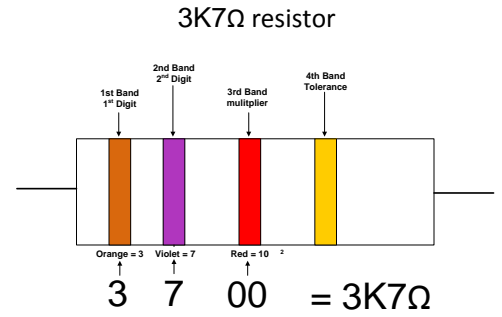
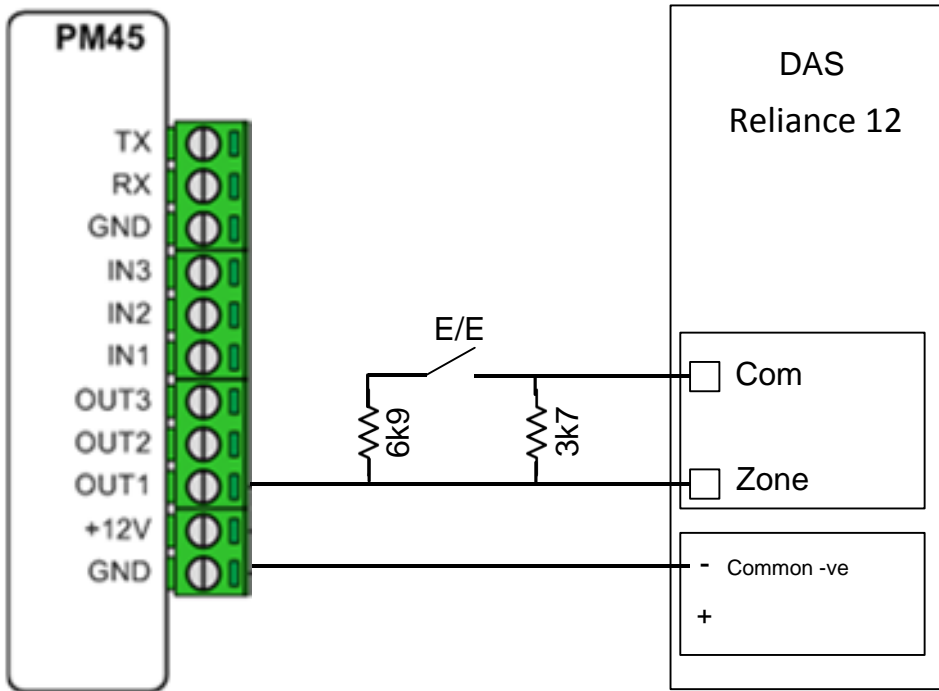
3K3Ω resistor



Input a value of '30' Keyswitch zone type.

Zone	Feature 18
1	Segment 1
2	Segment 2
3	Segment 3
4	Segment 4
5	Segment 5
6	Segment 6

E.g. 2: Using zones 1 – 6 (Zone doubling).
 NB: Other zone on the same terminals MUST be an Entry / Exit zone type.

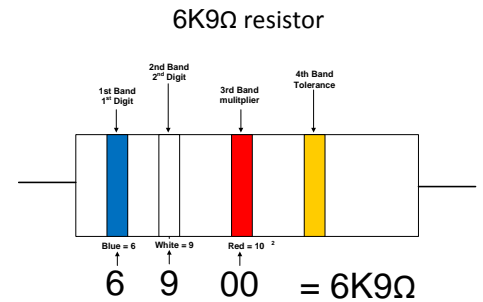
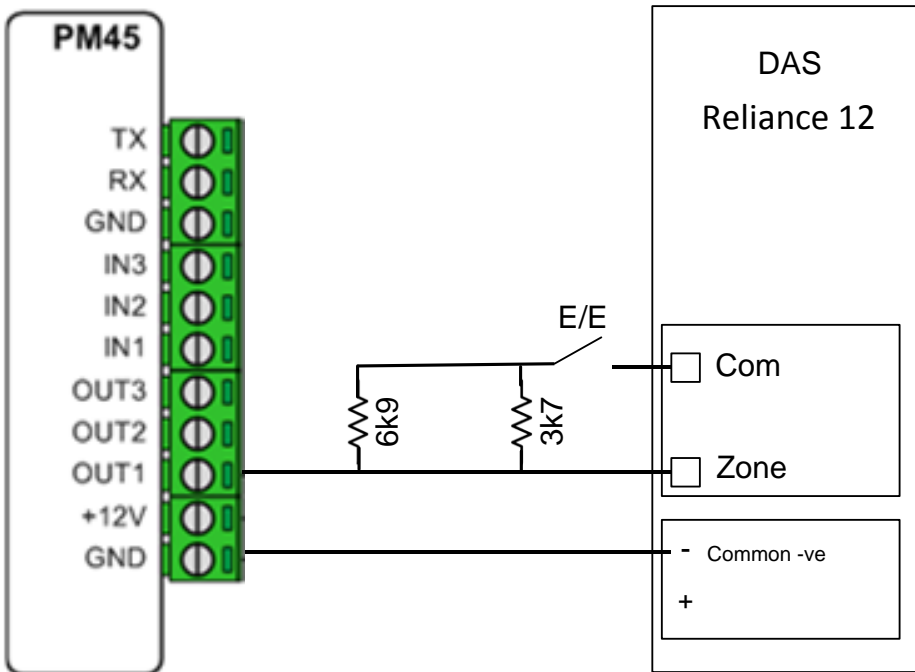


Use 3k7Ω for zones 1 - 6

Input a value of '30' Keyswitch zone type.

Zone	Feature 18
1	Segment 1
2	Segment 2
3	Segment 3
4	Segment 4
5	Segment 5
6	Segment 6

E.g. 3: Using zones 7 – 12 (Zone doubling).
 NB: Other zone on the same terminals MUST be an Entry / Exit zone type.



Use 6k9Ω for zones 7 - 12

Input a value of '30' Keyswitch zone type.

Zone	Feature 20
7	Segment 1
8	Segment 2
9	Segment 3
10	Segment 4
11	Segment 5
12	Segment 6