

Fire Panel Connection to a Permaconn



PERMACONN™
leaders in wireless security technology

- ✓ "No" Panel Dialler wiring
- ✓ Auxiliary input wiring

Background:

The PM1048 & PM45 series can be used as a NON dialler capture device by utilizing any one of the three 24hr zone inputs. If NO dialler lead is connected this will cause the dialler interface in Atlas to appear as 'FAILED' in red.

This will not send an event unless it senses a change in state.

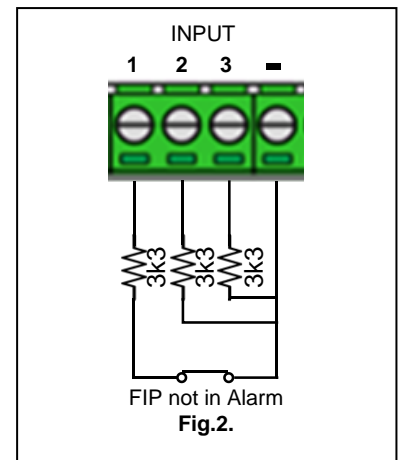
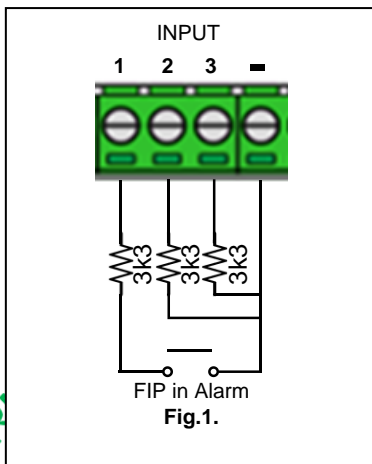
This cannot be disabled, however a note can be added in the history that the dialler is not used and it is connected to a fire panel. Also during the activation under the 'Name' section simply add Fire Panel after the name and selecting and add a fixed account to the Permaconn devise. The 3 inputs and 3 outputs work as normal.

How the Inputs work?:

- There are 3 inputs or zones that can be utilised.
- These inputs are NOT programmable.
- These inputs are 24hr zones.
- Each input requires 3K3 Ω sealing resistor. See Fig.1.
- An open circuit on the input will trigger the input and send an immediate event. See Fig.1.
- A restore on the contacts will send an immediate restore event. See Fig.2.

The table below shows the events of the 3 inputs.

Input	CID	Partition	Zone
1	140	0	981
2	140	0	982
3	140	0	983



E.g. of an Alarm event sent to monitoring station:

In TEXT:-
10:23:45 Wed 29 Jun 2016
 Account: 0001
 Event: **Input 1 on Permaconn unit**
 Partition: 00 - Zone: 981

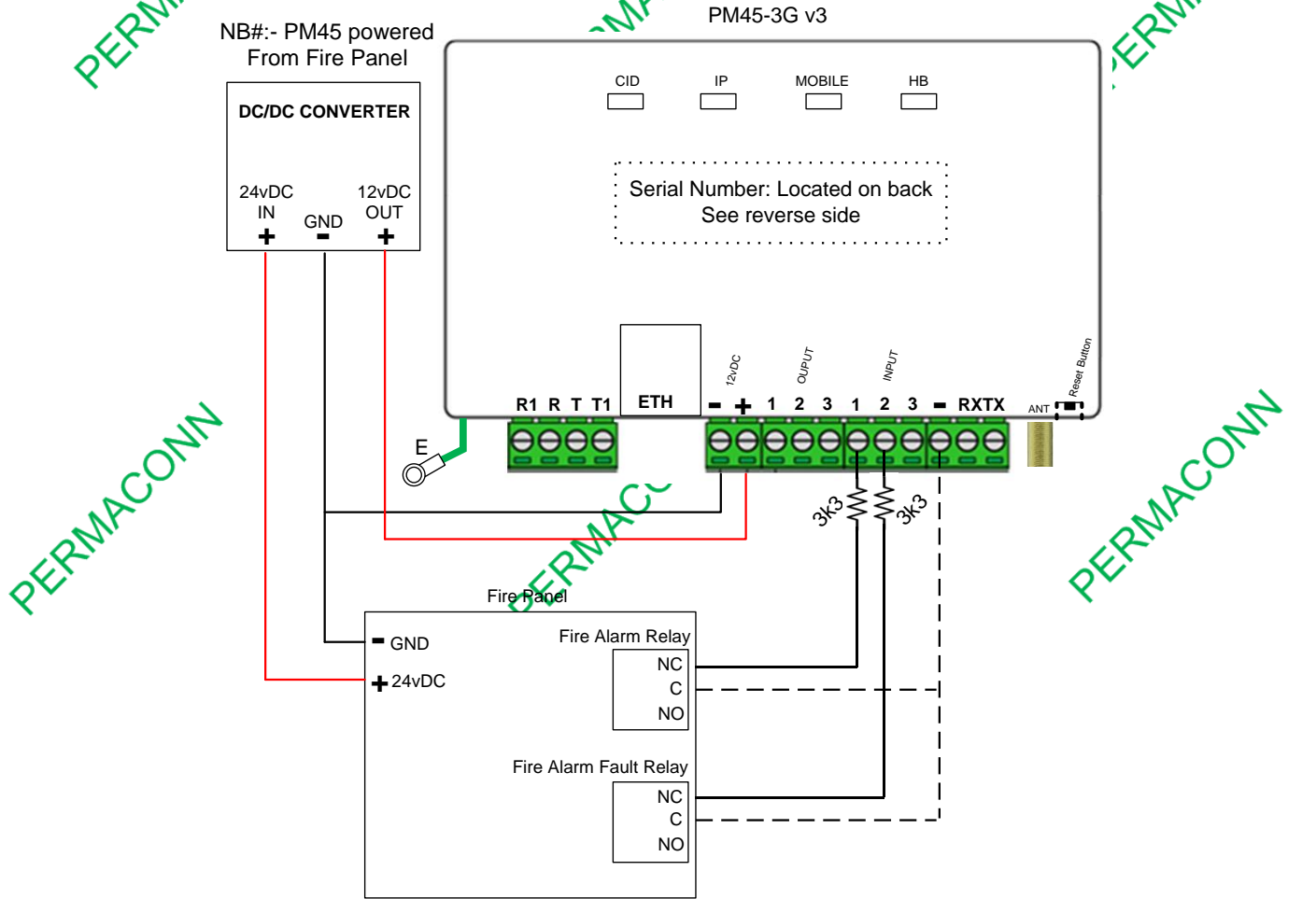
In CODE:-
10:23:45 Wed 29 Jun 2016
 0001 E140 00 C981

E.g. of an Restore event sent to monitoring station

In TEXT:-
10:24:20 Wed 29 Jun 2016
 Account: 0001
 Restore: **Input 1 on Permaconn unit**
 Partition: 00 - Zone: 981

In CODE:-
10:24:20 Wed 29 Jun 2016
 0001 R140 00 C981

E.g.1 Shows a PM45v3-3G connected to a typical Fire Panel



E.g.1 Shows a PM1048 standalone unit complete with power supply and battery connected to a typical Fire Panel

